

Fig. 3.—Schematic
—transmitter.

Downloaded by
RadioAmateur.EU

APPARATUS LEGEND

A	AMMETER 1S-84	C ₉	CAPACITOR CA-183, 0.01 μ f.	R ₁	RESISTOR RE-137, 25,000 ohms.
C ₁	CAPACITOR CA-206, 0.0001 μ f.	C ₁₀	CAPACITOR CA-183, 0.01 μ f.	R ₂	RESISTOR RS-137, 25,000 ohms.
C ₂	CAPACITOR CA-208, 0.01 μ f.	C ₁₁	CAPACITOR CA-183, 0.01 μ f.	R ₃	RESISTOR RS-137, 25,000 ohms.
C ₃	CAPACITOR CA-208, 0.01 μ f.	C ₁₂	CAPACITOR CA-230, 10-70 μ f.	R ₄	RESISTOR RS-136, 3,000 ohms.
C ₄	CAPACITOR CA-227, 0.000175 μ f.	† C ₁₂	CAPACITOR CA-363, 6-75 μ f.	R ₅	RESISTOR RS-136, 25,000 ohms.
C ₅	CAPACITOR CA-176, 0.005 μ f.	C ₁₃	CAPACITOR CA-245, 1.0 μ f.	† R ₅	RESISTOR RS-234, 15,000 ohms.
C ₆	CAPACITOR CA-207, 0.00025 μ f.	L ₁	M.O. TANK INDUCTANCE.	R ₆	RESISTOR RS-88, 250,000 ohms.
† C ₆	CAPACITOR CA-334, 0.00025 μ f.	L ₂	P.A. TANK INDUCTANCE.	S ₁	SWITCH, ANT. SEND-REC.
C ₇	CAPACITOR CA-228, 385 μ f. max.	L ₃	ANT. COUPLING COIL.	SO ₁	SOCKET, SO-22, POWER.
† C ₇	CAPACITOR CA-260, 395 μ f. max.	L ₄	ANT. LOADING COIL.	J ₁	JACK JK-24, PLATE CURRENT
C ₈	CAPACITOR CA-229, 285 μ f. max.				† BC-187-A only

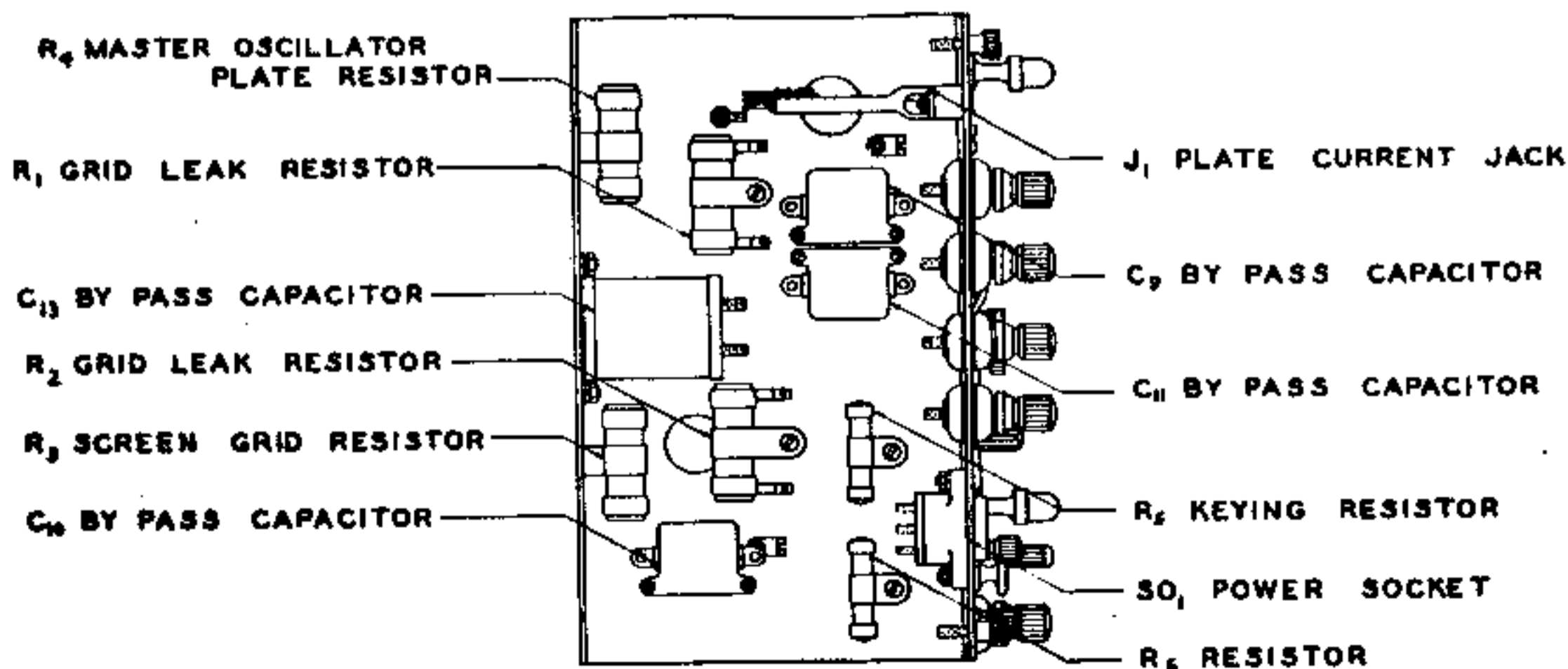


Fig. 4.—Transmitter chassis, bottom.